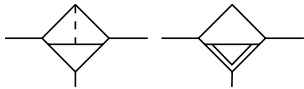
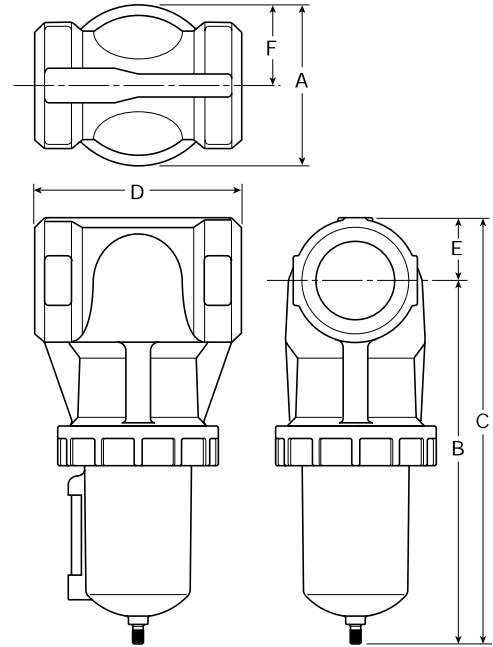


**F602 Filters – Hi-Flow**



**Features**

- Excellent water removal efficiency
- For heavy duty applications with minimum pressure drop requirement
- Unique deflector plate that creates swirling of the air stream ensuring maximum water and dirt separation
- Large filter element surface guarantees low pressure drop and increased element life
- 40 micron filter element standard
- Metal bowl with sight gauge standard
- Twist drain as standard, optional auto drain
- Large bowl capacity
- Optional high capacity bowl(s) available
- High flow: 2 & 2-1/2" – 1200 SCFM<sup>§</sup>



Port Size	NPT	
	Twist Drain	Automatic Pulse Drain
Metal Bowl / Sight Gauge - 16 oz.		
2"	<b>F602-16WJ</b>	<b>F602-16WJR</b>
2-1/2"	<b>F602-20WJ</b>	<b>F602-20WJR</b>
Metal Bowl without Sight Gauge - 32 oz.		
2"	<b>F602-16EJ</b>	<b>F602-16EJR</b>
2-1/2"	<b>F602-20EJ</b>	<b>F602-20EJR</b>

F602 Filter Dimensions					
A	B	C	D	E	F
<b>F602-16W, F602-20W</b>					
4.90 (124)	11.08 (281)	13.00 (330)	6.30 (160)	1.92 (48.7)	2.45 (62.2)
<b>F602-16E, F602-20E</b>					
4.90 (124)	14.31 (364)	16.23 (412)	6.30 (160)	1.92 (48.7)	2.45 (62.2)

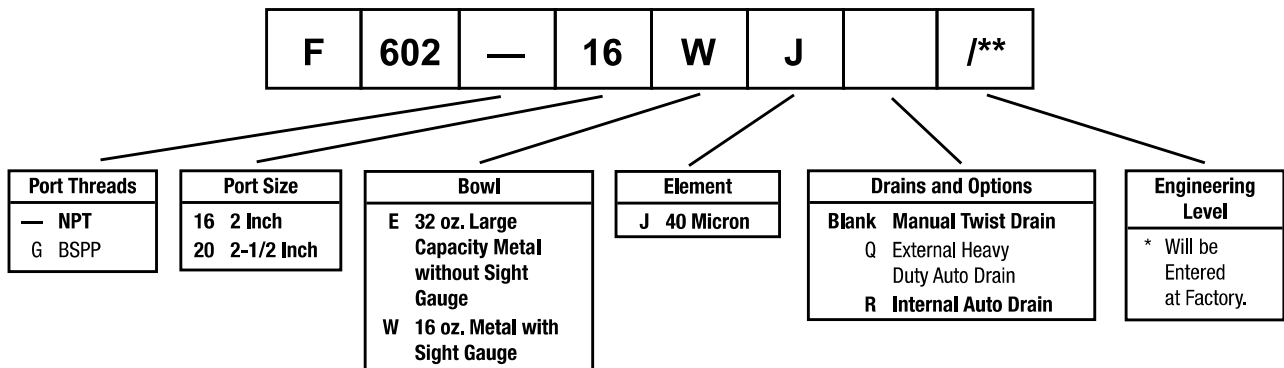
inches (mm)

Standard part numbers shown bold.

For other models refer to ordering information below.

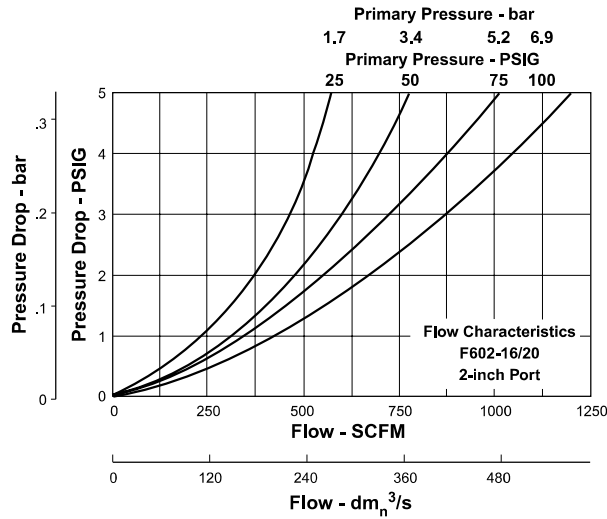
<sup>§</sup> SCFM = Standard cubic feet per minute at 90 PSIG inlet and 5 PSIG pressure drop.

**Ordering Information**



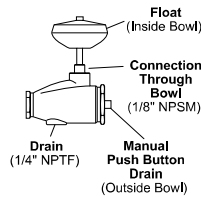
**BOLD ITEMS ARE MOST POPULAR.**

**Technical Information**



**“Q” Option External Heavy Duty Auto Drain  
 SA602D / SA603D**

For heavy duty applications where the filter is being used to remove large volumes of liquid and/or particulate matter from the airstream, the external automatic drain (“Q” option) should be used.



**F602 Filter Kits & Accessories**

**Bowl Kits –**

- Aluminum (E) ..... BK603B
- Zinc with Sight Gauge (W) ..... BK605WB

**Drain Kits –**

- External Auto (E) .....SA603D
- External Auto (W) .....SA602D
- Internal Auto (All) ..... SA602MD
- Manual (All) ..... SA600Y7-1
- Semi-Automatic “Overnight” Drain .....SA602A7  
 (Drains automatically under zero pressure)

**Filter Element Kits –**

- 40 Micron (All) .....EK602B

**Repair Kits –**

- Deflector, Baffle Assembly, and Retaining Rod (All) ..... RK602C
- External Auto Drain (All) ..... RK602D
- Internal Auto Drain (All) ..... RK602MD
- Metal Bowl Sight Gauge (W) .....RKB605WB

**Specifications**

**Bowl Capacity –**

- Aluminum (E) ..... 32 Ounces
- Zinc (W) ..... 16 Ounces

**Port Threads** ..... 2, 2-1/2 Inch

( ) = Bowl Type

**Pressure & Temperature Ratings –**

- Aluminum Bowl (E) ..... 0 to 300 PSIG (0 to 20.4 bar)  
 40°F to 150°F (4.4°C to 65.6°C)
- Zinc (W) ..... 0 to 250 PSIG (0 to 17.2 bar)  
 40°F to 150°F (4.4°C to 65.6°C)
- With Internal Auto Drain (R) ..... 20 to 175 PSIG (1.4 to 11.9 bar)  
 40°F to 125°F (4.4°C to 52°C)
- With External Auto Drain (Q) ..... 30 to 250 PSIG (0 to 17.2 bar)  
 40°F to 150°F (4.4°C to 65.6°C)

**Weight –**

- Aluminum Bowl (E) ..... 10.3 lb. (4.67 kg) / Unit  
 11 lb. (4.99 kg) / 1-Unit Master Pack
- Zinc Bowl (W) ..... 9.8 lb. (4.45 kg) / Unit  
 39 lb. (17.69 kg) / 4-Unit Master Pack

**Materials of Construction**

- Body** .....Aluminum
- Bowls –**

  - (E) .....Aluminum without Sight Gauge
  - (W) ..... Zinc with Sight Gauge

- Drain –**

  - Manual Twist & Overnight .....Brass
  - Housing “R” .....Acetal
  - Housing “Q” ..... Bronze

- Filter Elements –**

  - 40 Micron (Standard) .....Polypropylene

- Seals** .....Buna N
- Sight Gauge** .....Nylon